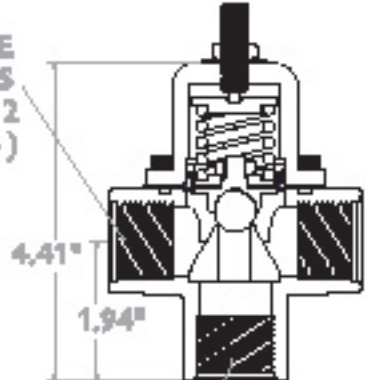
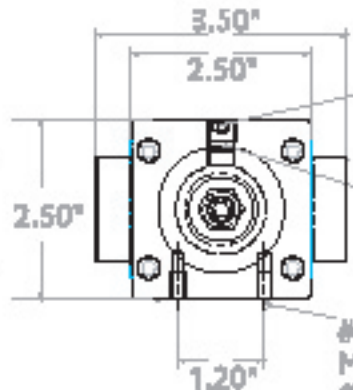


(2X) PRESSURE PORTS
S.T.O.R.P. -12
(1 1/16" UNF-3B)



RETURN TO TANK
S.T.O.R.P. -12
(1 1/16" -12 UNF-3B)



GAUGE PORT
1/8"-27NPTF (BOTTOM)
TORQUE PLUG TO 60
INCH POUNDS.

BOOST PORT
1/8"-27NPTF
(TOP)

**#10-32 UNF-3B X .38" DEEP
MINIMUM
(2X) @ 2.31" FROM TANK
PORT FACE**